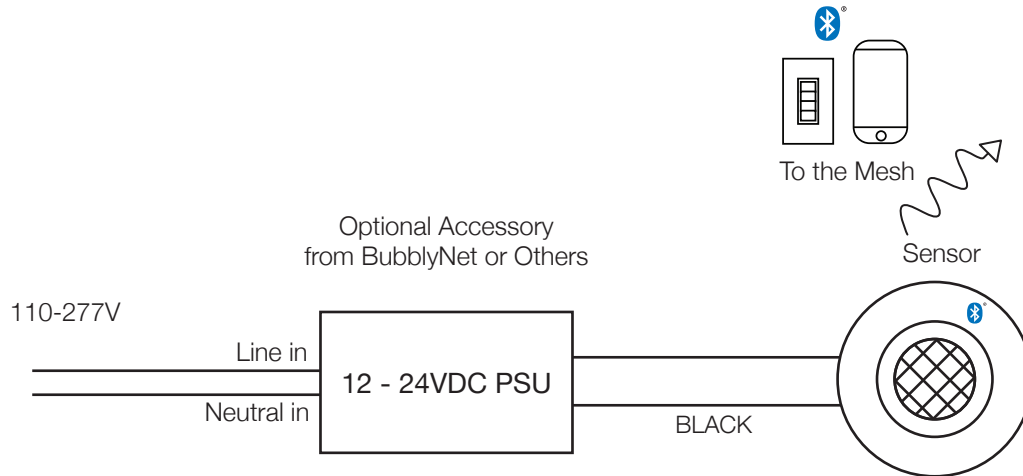
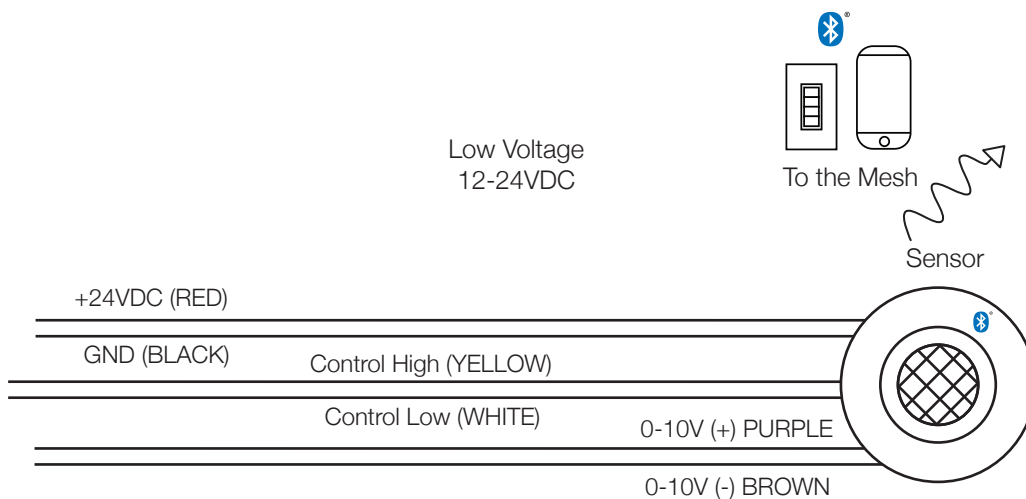


## Wiring Diagram | S-OP-012-D0LB

### Low Bay Photocell + Occupancy Sensor



Standard non-metallic J-Box  
supplied by others highly recommended  
to maximize wireless coverage.



Control High Vin-2.5V 100mA Source

Control Low - 100mA Sink

\*Illustration is for example purposes only.