

Wiring Diagram | C-F00-11-DL00

Forward Phase Controller with LED Fixtures and Sensors

One Controller for Multiple LED Fixtures and Sensors

Maximum Values per Controller

Max ON/OFF - 200W

Line Input - 110 - 277VAC | 50/60Hz

Auxillary +24VDC Output - 100mA

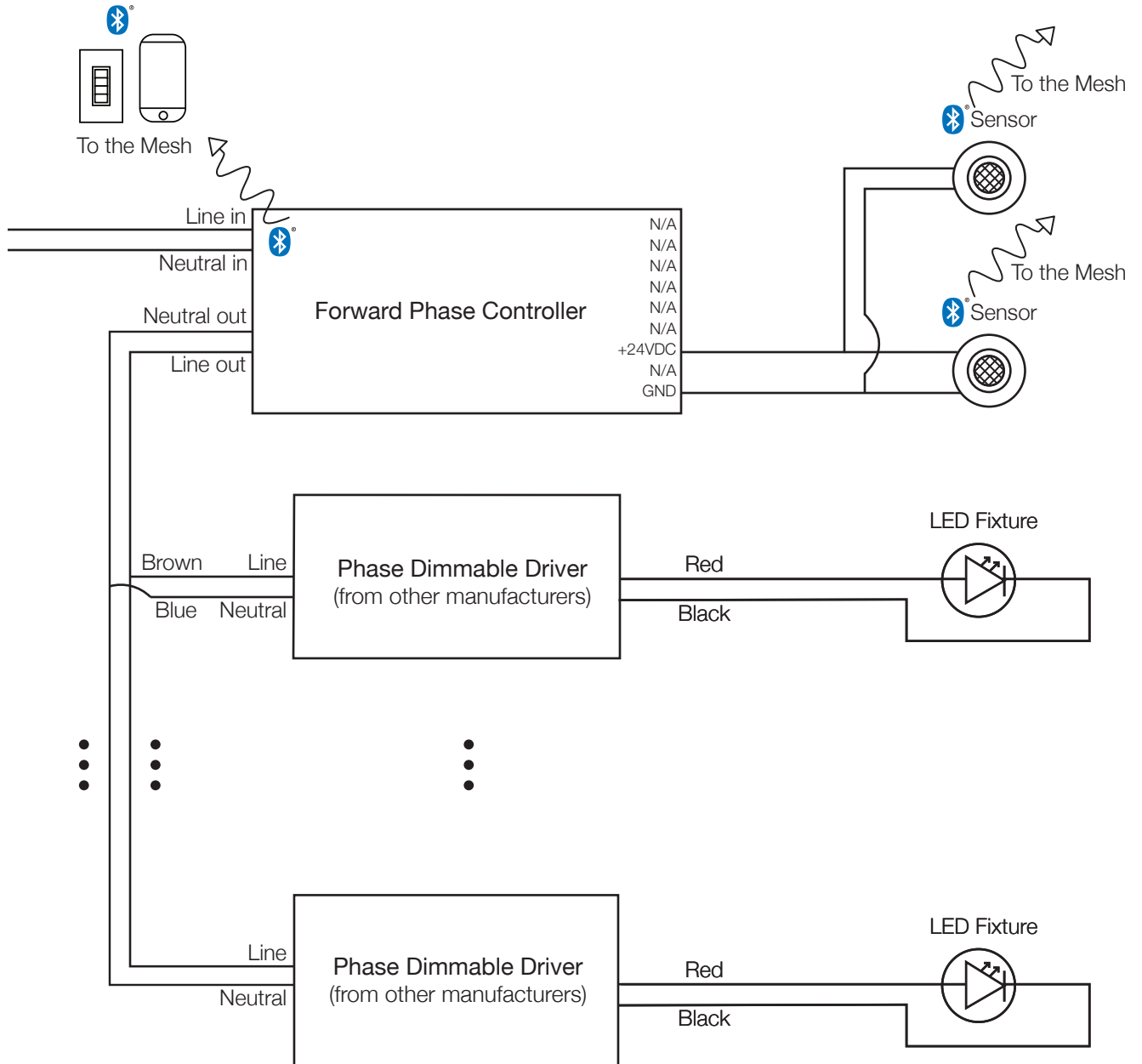


Illustration is for example purposes only. Manufacturers vary depending on technical requirements of the light.