

Wiring Diagram | D-G4K-00-24-24-DL00

96W Max, 4,000mA Max, 4 CH CV RGBW LED Driver

Input Voltage = +24VDC

Output Voltage = +24VDC per Channel

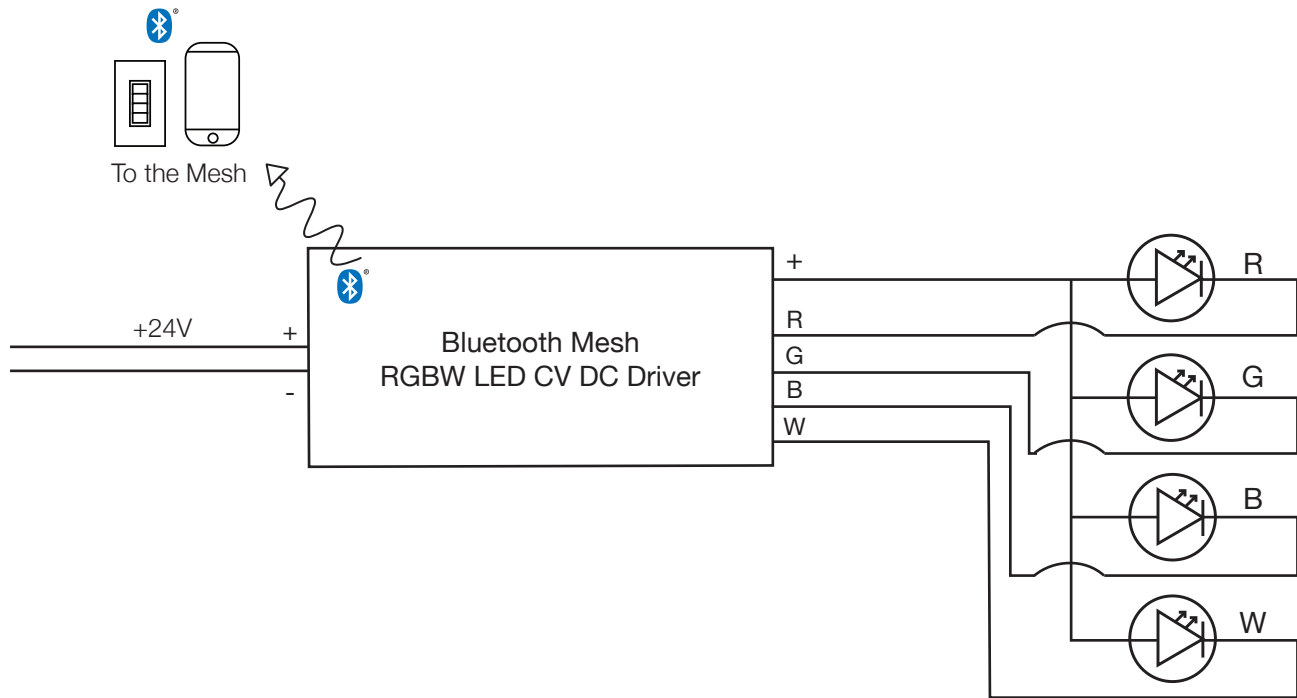


Illustration is for example purposes only. Manufacturers vary depending on technical requirements of the light.