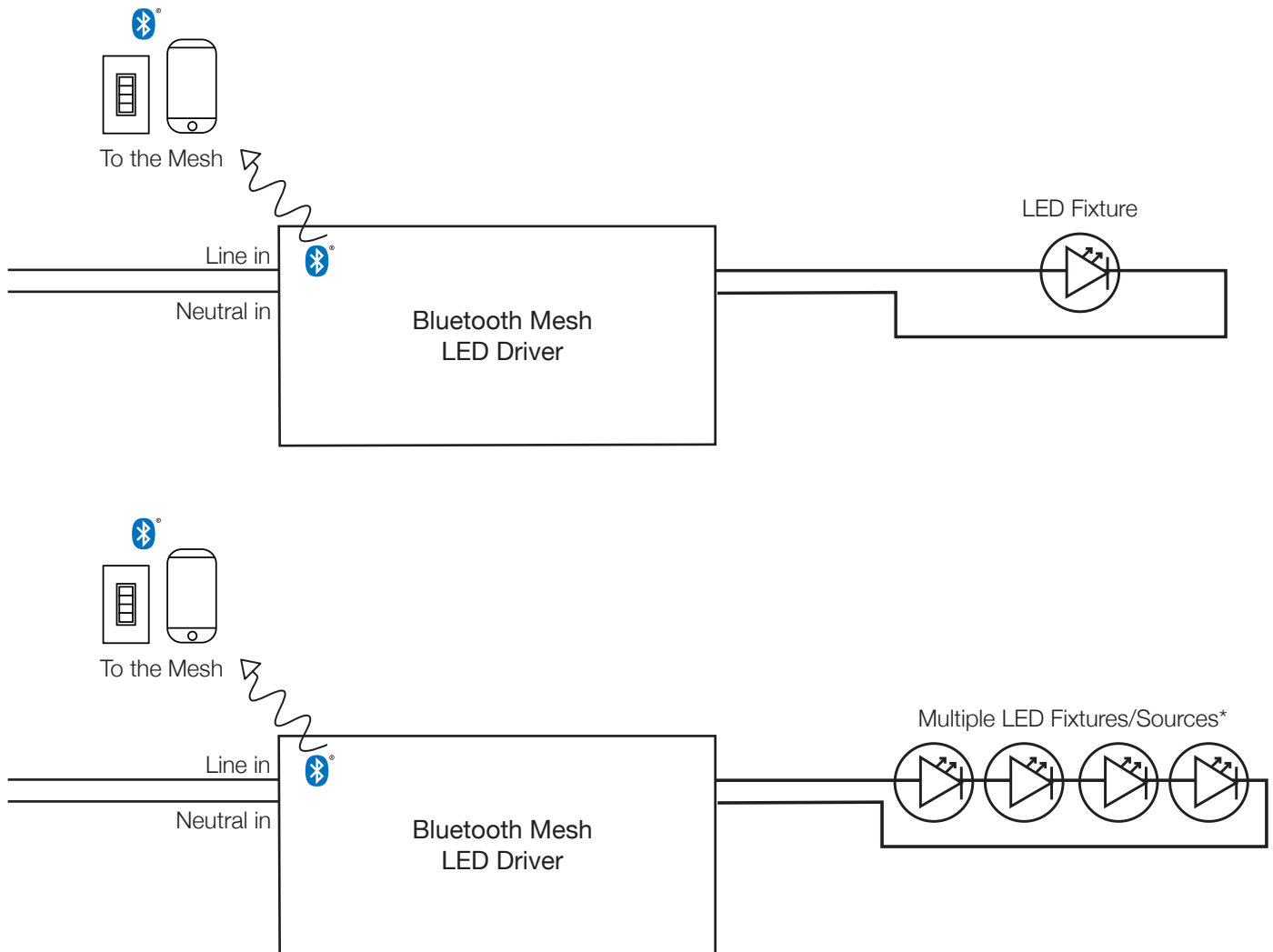


Wiring Diagram | D-C70-30-42-17-D000

26w Max, 700mA, LED Driver

110-277VAC | 50/60Hz

Use for 9w, 13w, 18w, 26w Fixtures



*Consult Spec Sheet for full data on voltage range and current compatibility.

Illustration is for example purposes only. Manufacturers vary depending on technical requirements of the light.