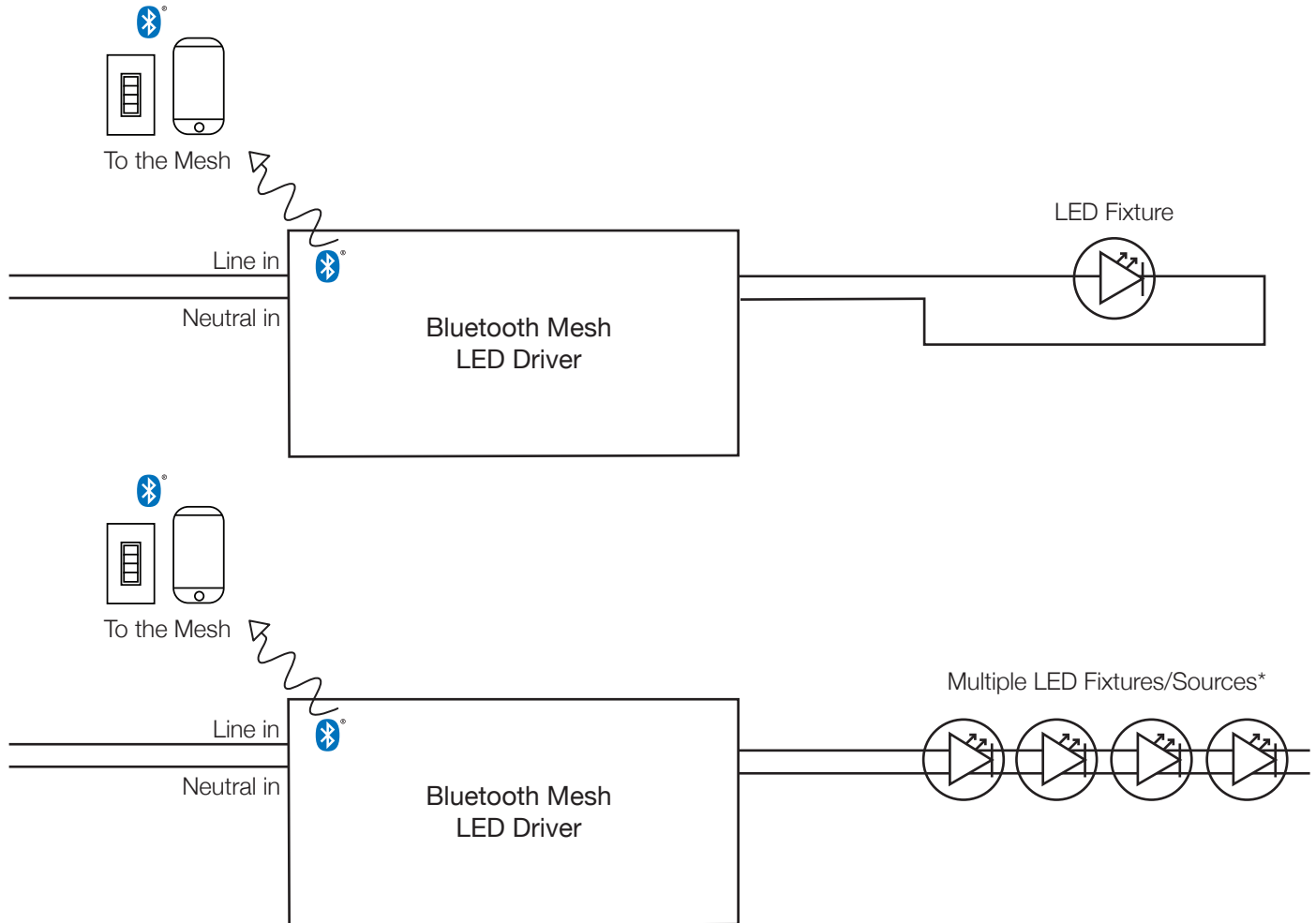


## Wiring Diagram | D-V1K-00-24-17-D000

25W Max, 24VDC, LED Driver

110-277VAC | 50/60Hz

V<sub>f</sub> = 24VDC



\*Consult Spec Sheet for full data on voltage range and current compatibility.

For best results, drivers need to be installed within 30 feet of the closest device within the Bluetooth Mesh network. Signal strength significantly decreases in presence of metal barriers such as when devices are enclosed in metal boxes.

### Compliance Statement

This device complies with part 15 of the FCC Rules. Operation is subject to the following two conditions: (1) this device may not cause harmful interference and (2) this device must accept any interference received, including interference that may cause undesired operation.

### FCC Interference Statement

This equipment has been tested and found to comply with the limits for a Class B digital device, pursuant to Part 15 of the FCC Rules. These limits are designed to provide reasonable protection against harmful interference in a residential installation. This equipment generates, uses and can radiate radio frequency energy and, if not installed and used in accordance with the instructions, may cause harmful interference to radio communications. However, there is no guarantee that interference will not occur in a particular installation. If this equipment does cause harmful interference to radio or television reception, which can be determined by turning the equipment off and on, the user is encouraged to try to correct the interference by one of the following measures:

- Reorient or relocate the receiving antenna.
- Increase the separation between the equipment and receiver.
- Connect the equipment into an outlet on a circuit different from that to which the receiver is connected.
- Consult the dealer or an experienced radio/TV technician for help.

### Radiation Exposure Statement or Canada

This device complies with Industry Canada's license-exempt RSS. Operation is subject to the following two conditions: (1) this device may not cause interference and (2) this device must accept any interference, including interference that may cause undesired operation of the device.

This equipment is exempt from the routine RF exposure evaluation requirements of RSS-102. This equipment should be installed and operated with a minimum distance of 7-7/8" or 20 cm between the antenna and the user or bystanders.

