

Q Series Keypad Switch



Description

The **Q Series** are wireless keypads with one to four buttons per standard US single gang. Each button can be used as an ON/OFF switch, can dim up and down a single light or group of luminaires or control a wide variety of electric loads. The small LED indicator can be used to highlight a certain active status or, if the keypad is connected to the mains, can be used for night identification.

Operation

The **Q Series** communicates wirelessly with other devices supporting Bluetooth Mesh. Three and four-way switching is easily accomplished and does not require any particular programming or additional wiring.

Installation

The versatile **Q Series** can be a battery-operated, wireless control that does not require external power or communication wiring. This version can be surface mounted, glued or double-side taped to any surface including glass walls and partitions. The Low Voltage or Line Voltage can be installed as a common switch screwed to a standard J-Box with the addition of a small AC/DC transformer for 120V, included. A non-metallic J-Box is recommended as to maximize wireless coverage.

Features

- Wireless, Bluetooth Mesh
- Battery-operated (**CR2032 Battery**), Low Voltage or Line Voltage with AC/DC Transformer (included)
- Use for Light **and/or** Shade Control
- Recessed Mounted in J-Box (non-metallic recommended)
- Surface Mounted (requires additional spacer)
- 1, 2, 3 and 4 Button Options
- Easy Reconfiguration with the use of the BubblyNet App
- Standard and Custom Engraving Options

Certifications



Applications

The **Q Series** is ideal for use in applications where dimming control is desired such as in hospitality and corporate interiors. Its wireless technology allows for installations that would be extremely difficult or impossible, such as historical significant buildings, glass walls, furniture and thin partitions. The programmable buttons give designers the option of reducing wall clutter by facilitating scene setting without the need for individual dimming switches for each load. It is a great solution for Tunable White installations where the two buttons would dim the light intensity and the other two buttons would tune the light warmer or cooler.

Connectivity

Devices are repeaters for other devices and should be installed within a certain maximum distance from each other.

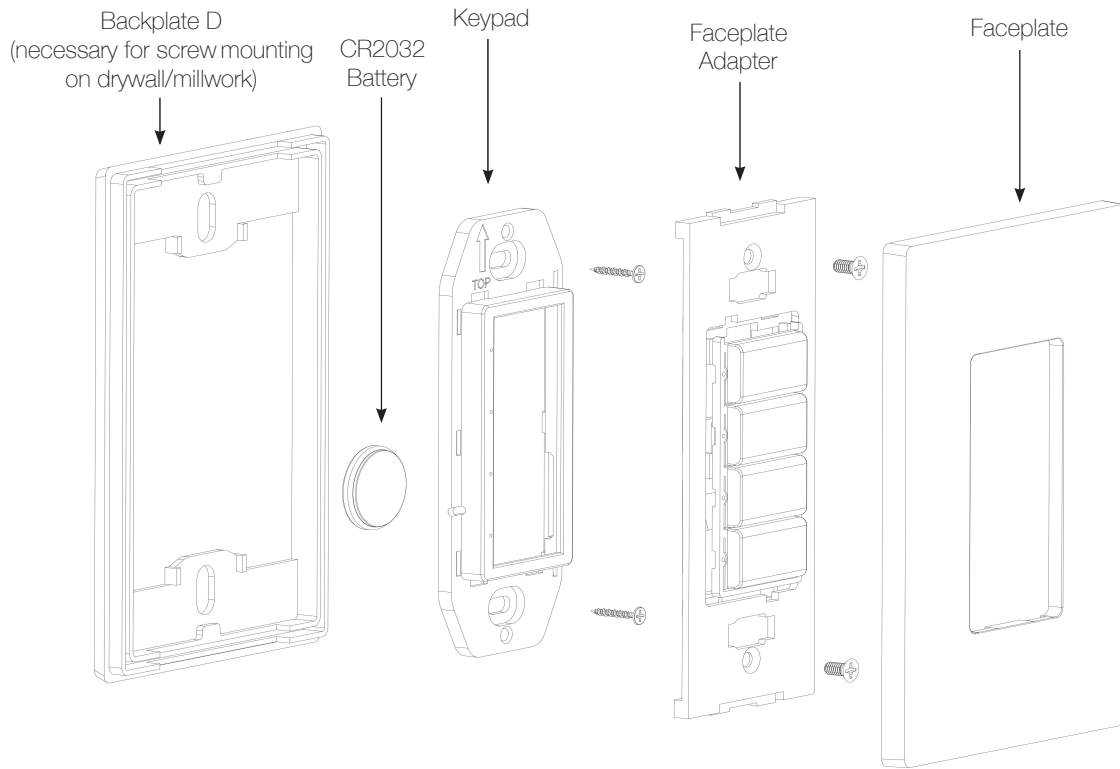
Typical maximum distance:

<u>Outdoor (line of sight):</u>	200ft
<u>Indoor (through building material):</u>	
Glass:	100ft
Drywall:	70ft
Cinderblock:	60ft
Brick:	50ft
Concrete + rebar	0ft

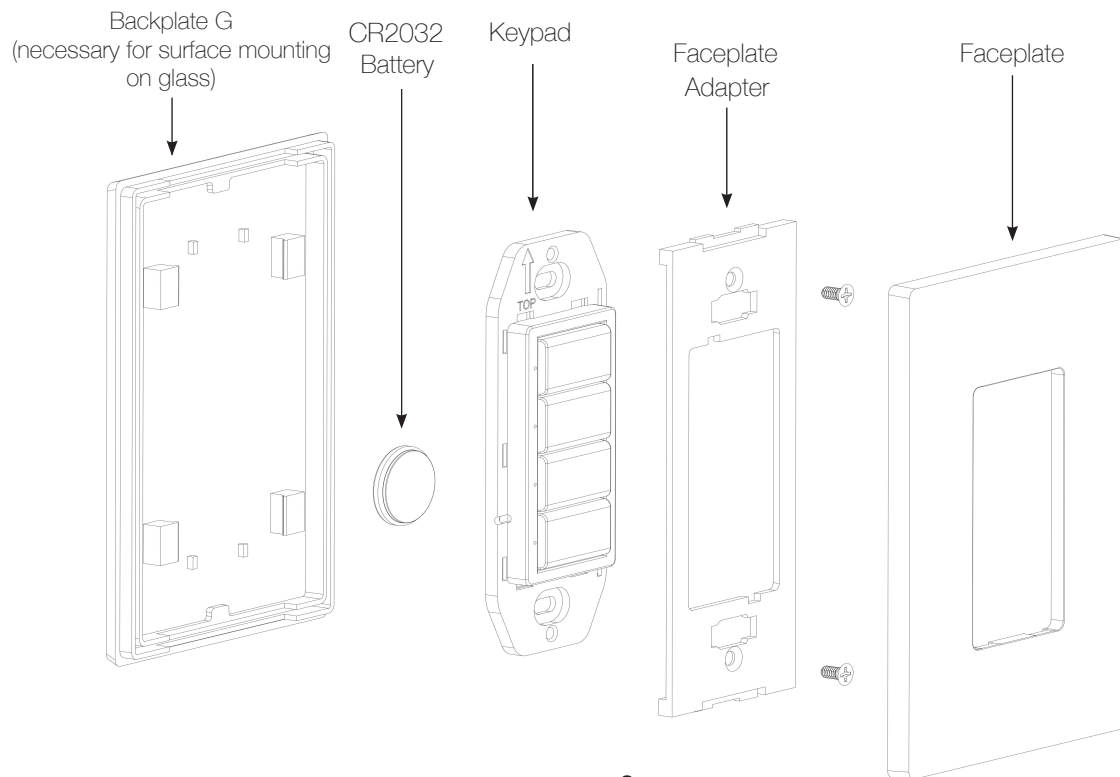
Devices with external antenna should have the antenna outside any metal box and away from metal surfaces as metal reduces connectivity.

For design purposes a 60ft. maximum distance is appropriate for most installations.

Q Series Keypad Switch with Battery Installation on Drywall/Millwork



Q Series Keypad Switch with Battery Installation on Glass



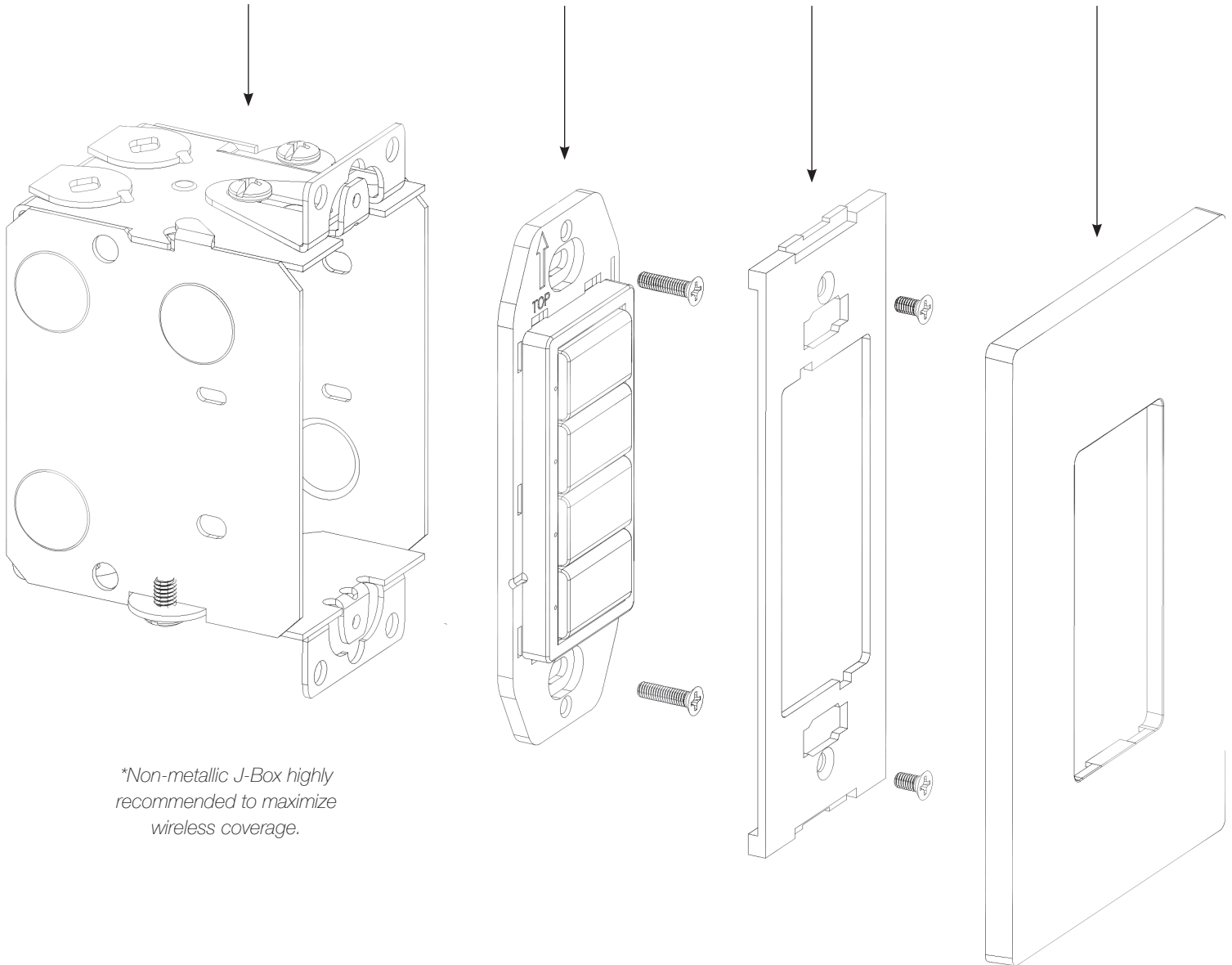
Q Series Keypad Switch Low Voltage Installation

Single J-Box 3.5" Deep
Supplied by Others*

Keypad

Faceplate
Adapter

Faceplate



Q Series Keypad Switch Line Voltage Installation with AC/DC Transformer

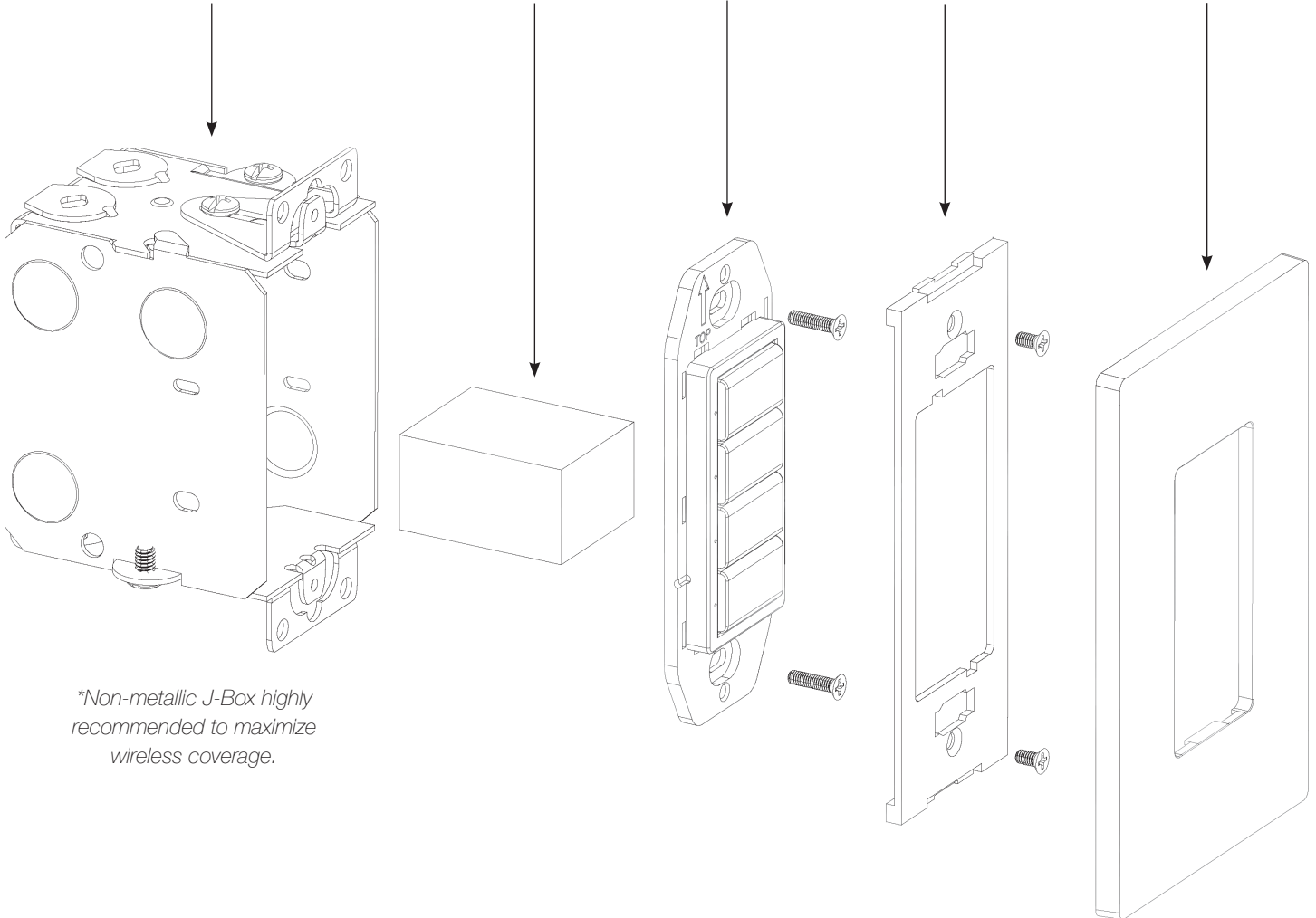
Single J-Box 3.5" Deep
Supplied by Others*

AC/DC Transformer
Power Supply

Keypad

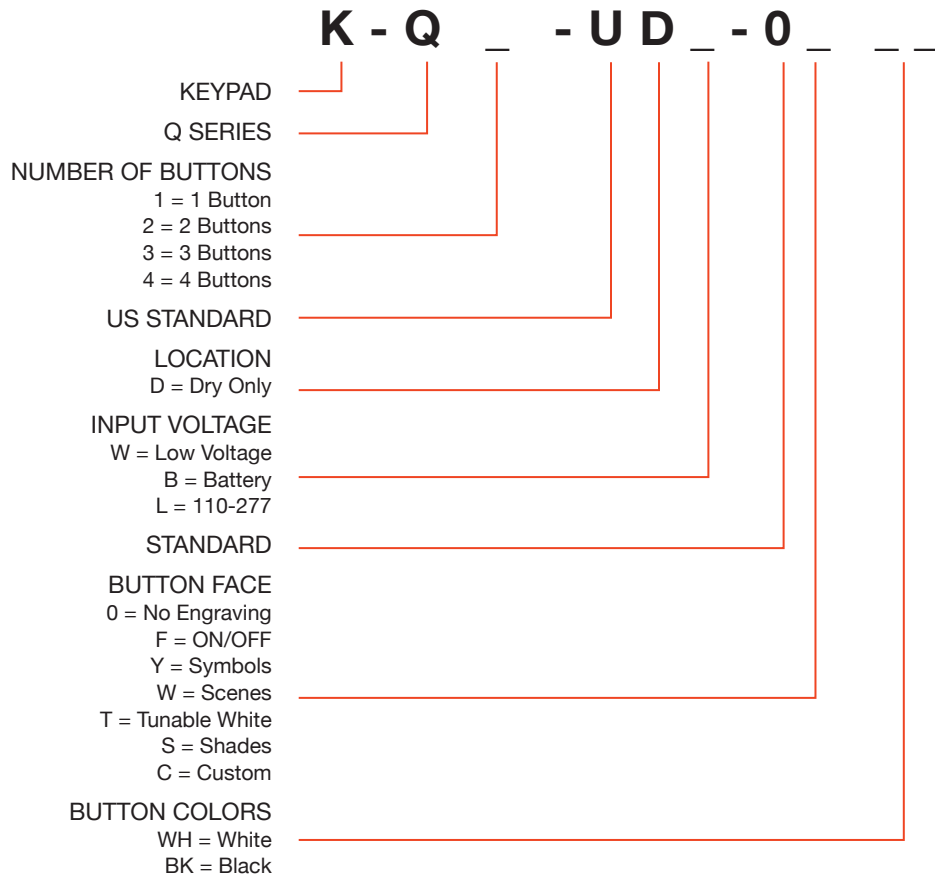
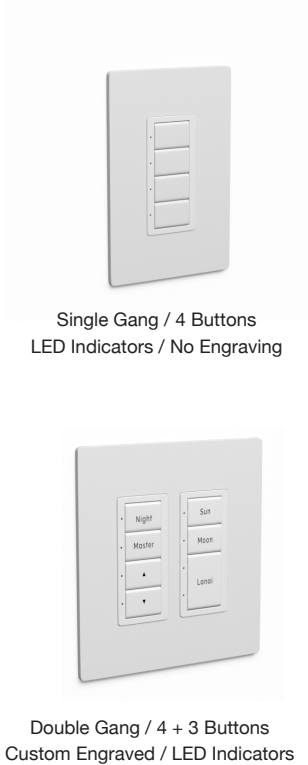
Faceplate
Adapter

Faceplate

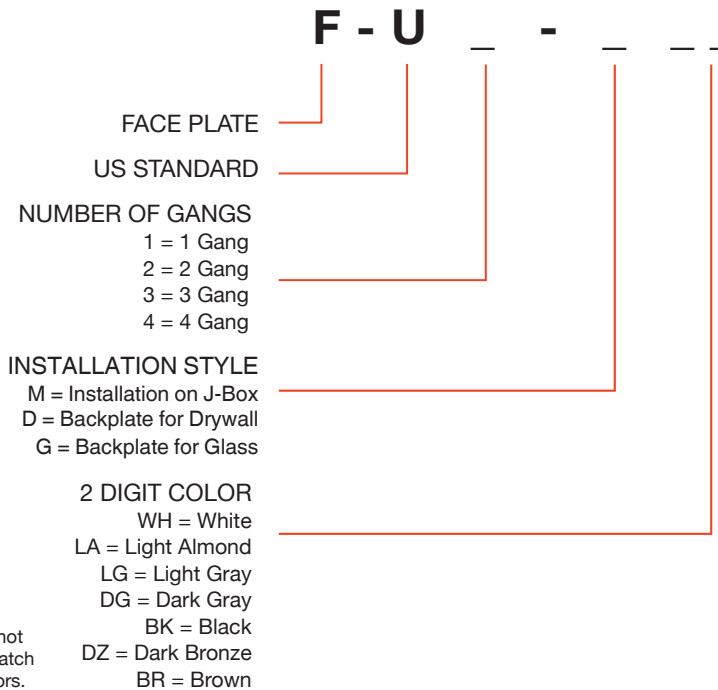
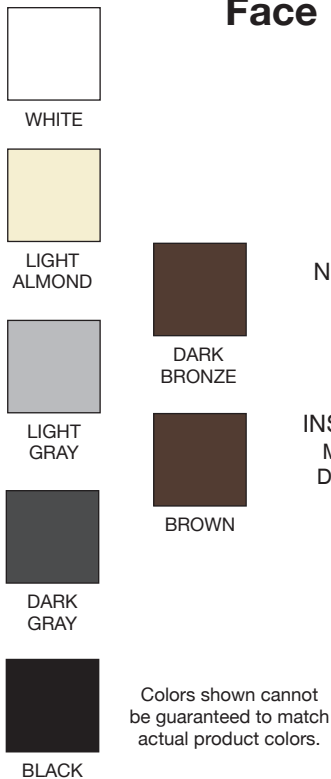


**Non-metallic J-Box highly recommended to maximize wireless coverage.*

Q Series Keypad Ordering Key | One Code Per Keypad



Face Plate Ordering Key | One Code Per Faceplate



Face Plate Dimensions

- Single - 3.17" x 4.97" x 0.26" (80.5 x 126.24 x 6.6 mm)
- Double - 4.96" x 4.94" x 0.26" (125.98 x 125.48 x 6.6 mm)
- Triple - 6.77" x 4.94" x 0.26" (171.96 x 125.48 x 6.6 mm)
- Quad - 8.59" x 4.94" x 0.26" (218.19 x 125.48 x 6.6 mm)

Interior Cutout Dimensions - 1.31" x 2.63" (33.27 x 66.8 mm)

Blind inserts available upon request.

Q Series Keypad Standard Artwork Form | One Form Per Keypad

1. Project Name: _____

2. Quote/PO Number: _____

3. Location/Type: _____

4. Specify Keypad Color

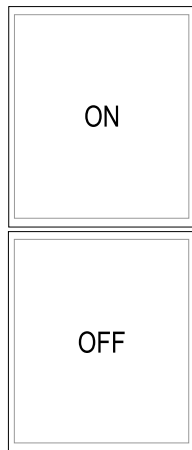
Choose one color: White Black

5. Quantity of Keypads of Same Type (if part of a gang grouping, please note): _____

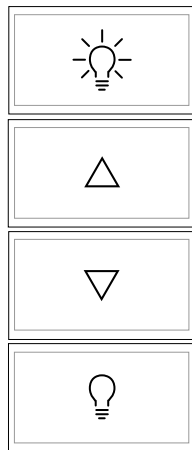
6. Standard Engraving Options

Choose one option per keypad: ON/OFF Symbols Scenes Tunable White Shades

ON/OFF Keypad



Symbols Keypad



Press Once for Lights On

Press & Hold to Increase to Desired Brightness

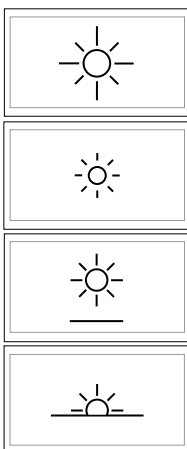
Press & Hold to Decrease to Desired Brightness

Press Once for Lights Off

Scenes Keypad



Tunable White Keypad



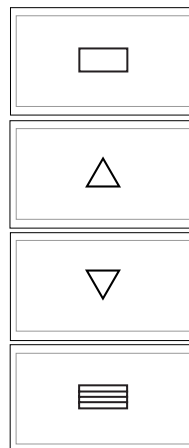
Raise Intensity

Dim Intensity

Cooler White

Warmer White

Shade Control Keypad



Press Once Shades Open Fully

Press and Hold Opens Until Released

Press and Hold Closes Until Released

Press Once Shades Close Fully

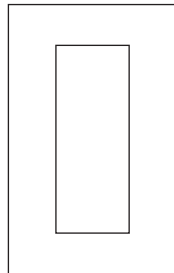
Q Series Keypad Custom Artwork Form | One Form Per Keypad

1. Project Name: _____

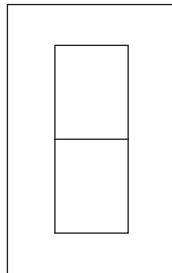
2. Quote Number: _____

3. Location Type: _____ 4. Quantity of Keypads: _____

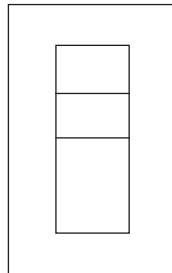
5. Number of Buttons: Choose one option per form: 1 2 3 4



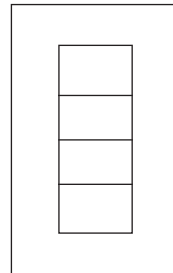
1 Button



2 Buttons



3 Buttons



4 Buttons

6. Specify Keypad Color

Choose one color: White Black

7. Select up to 7 Characters per Button, starting with top button.

Button #1

--	--	--	--	--	--	--

Button #2

--	--	--	--	--	--	--

Button #3

--	--	--	--	--	--	--

Button #4

--	--	--	--	--	--	--