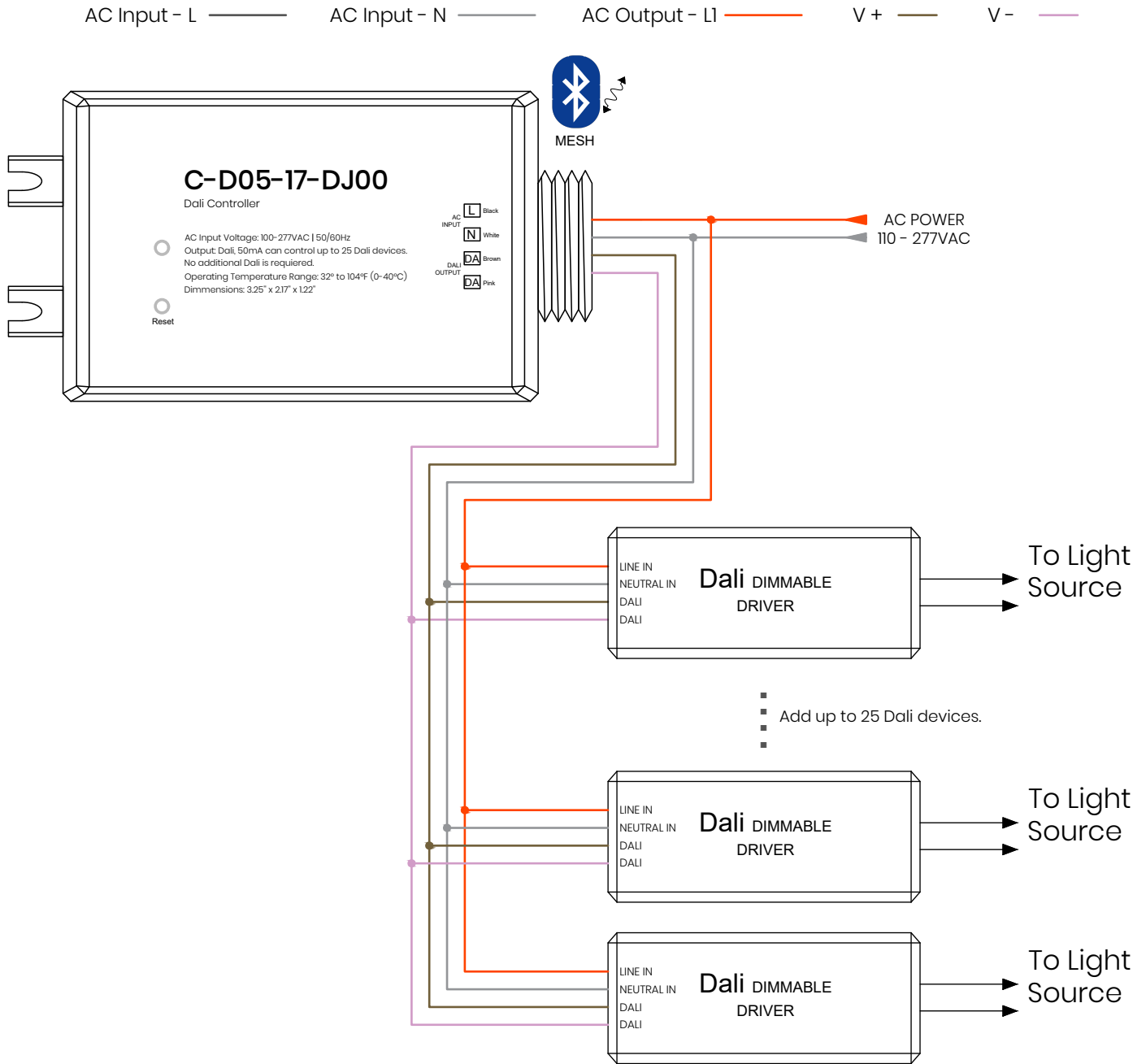


Dali Controller



Maximum Values per Controller	
Dali Devices	Up to 25
Line Input	110 - 277 V _{AC}
Output	50 mA
Operating Temp.	32° - 104° F

The manufacturer reserves the right to change or modify the design, dimensions and specifications at any time without notice. The manufacturer accepts no liability for consequential damage which is occasioned to the user based on the data provided.