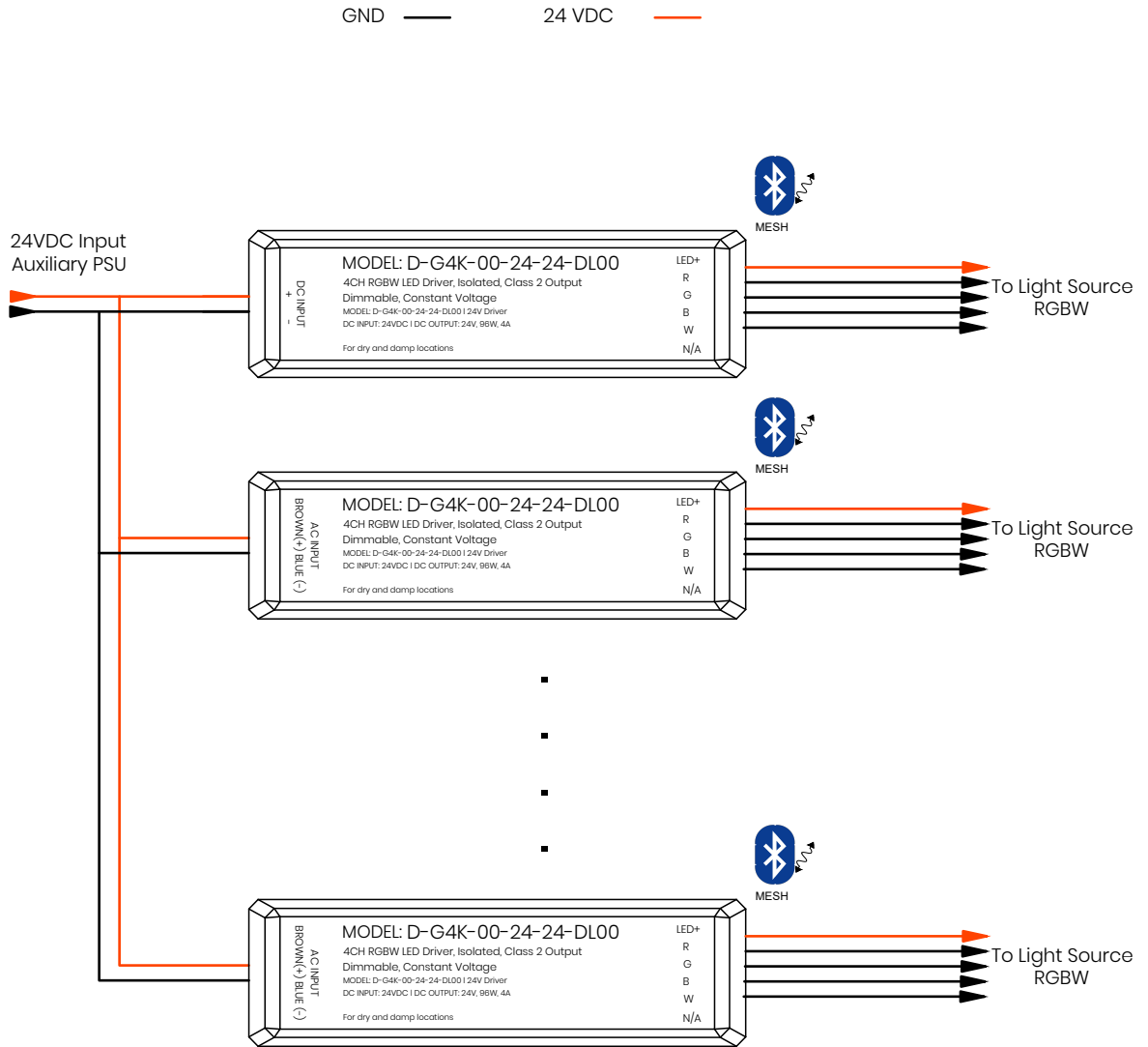


## 1CH DRIVER CV 96W/24V AC/DC



<b>Maximum Values per Controller</b>	
DC Input Voltage	24VDC
Output Current	4000mA
DC Output Voltage	24VDC
Over Current, Short Circuit	YES
Over Voltage, Over Temperature	YES

The manufacturer reserves the right to change or modify the design, dimensions and specifications at any time without notice. The manufacturer accepts no liability for consequential damage which is occasioned to the user based on the data provided.