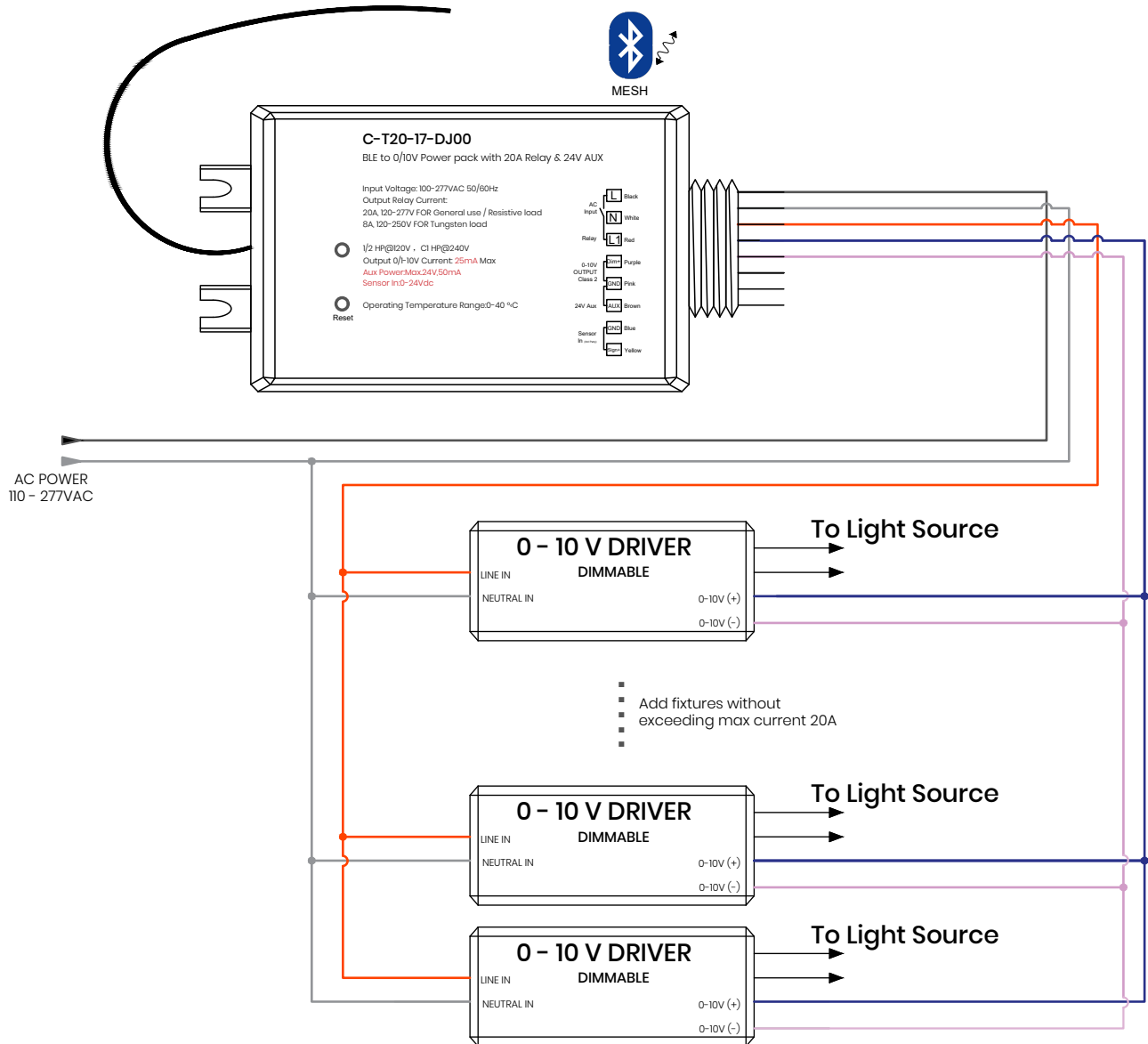


## 0-10V Dimming + Relay

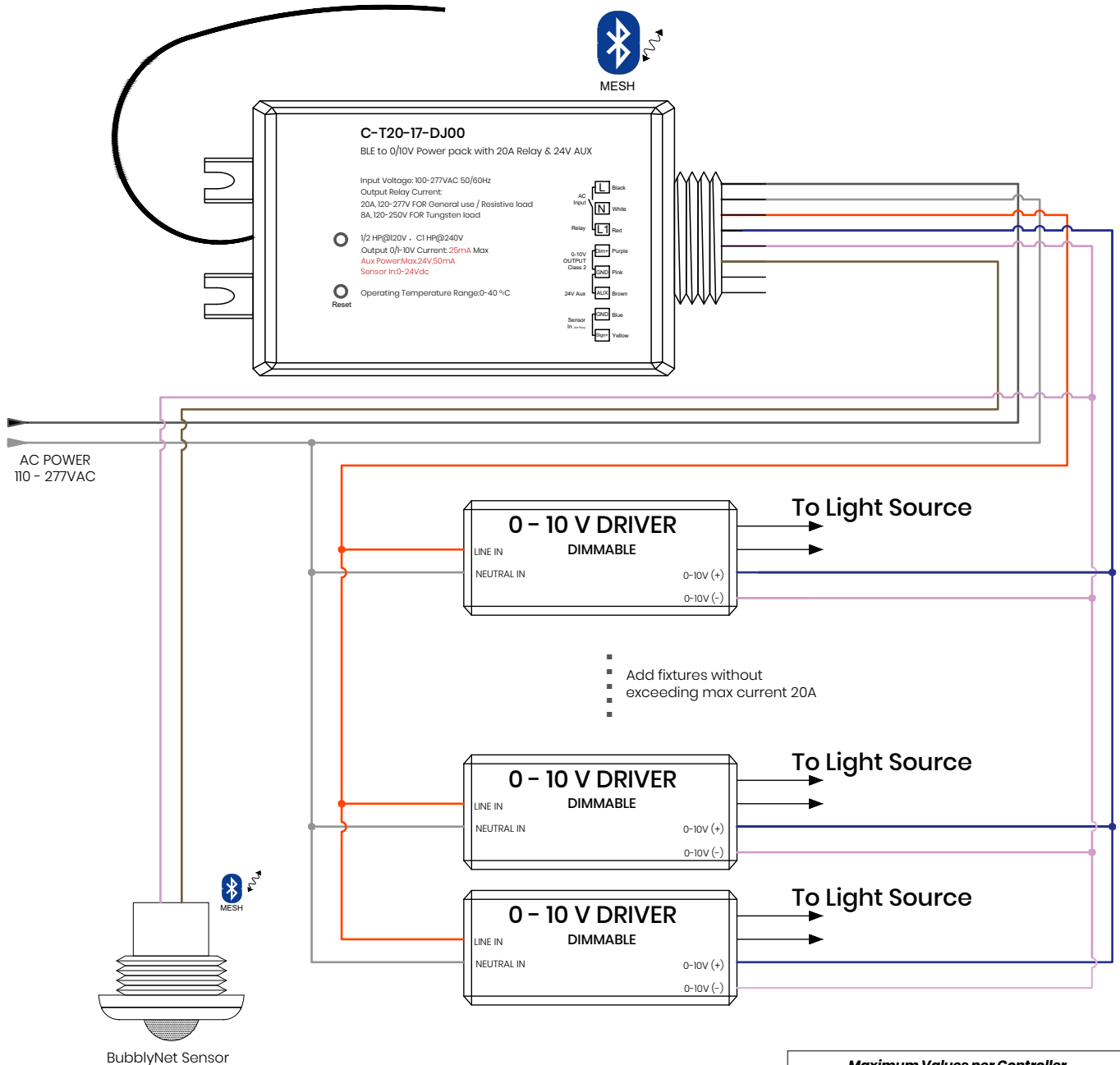
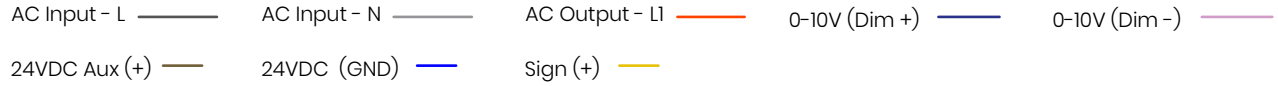
AC Input - L ——— AC Input - N ——— AC Output - LI ——— 0-10V (Dim +) ——— 0-10V (Dim -) ———  
 24VDC Aux (+) ——— 24VDC (GND) ——— Sign (+) ———



Maximum Values per Controller	
0-10V Output	50mA
Line Relay Output	20A
Line Input	110 - 277 VAC
Aux Output	24V @ 50mA

The manufacturer reserves the right to change or modify the design, dimensions and specifications at any time without notice. The manufacturer accepts no liability for consequential damage which is occasioned to the user based on the data provided.

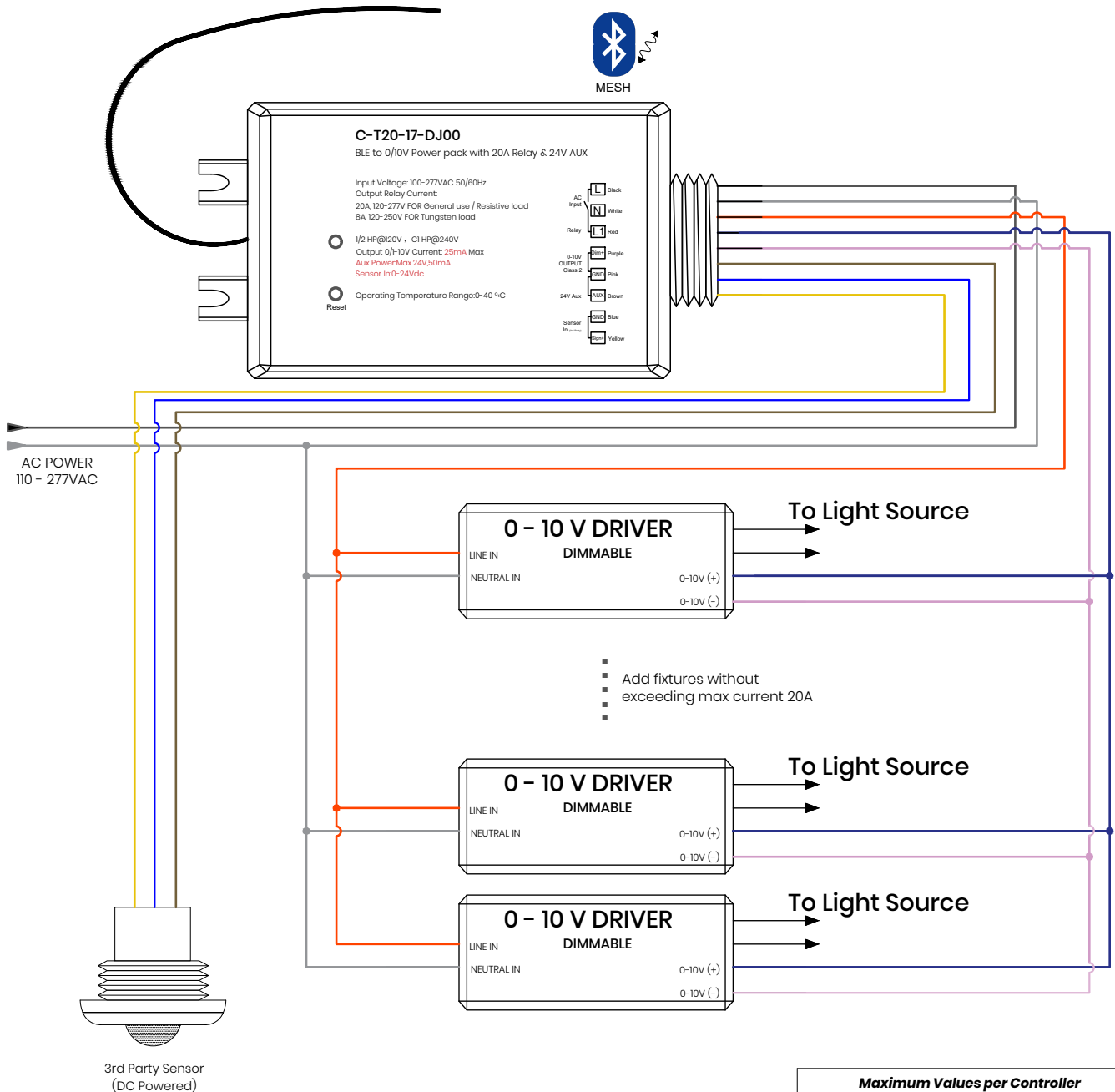
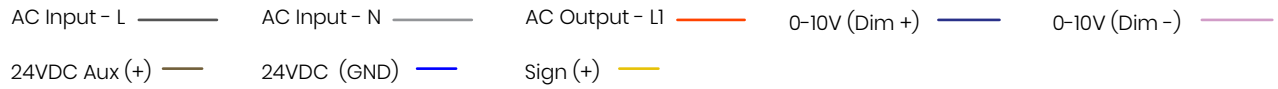
### 0-10V Dimming + Relay + BubblyNet Sensor



Maximum Values per Controller	
0-10V Output	50mA
Line Relay Output	20A
Line Input	110 - 277 VAC
Aux Output	24V @ 50mA

The manufacturer reserves the right to change or modify the design, dimensions and specifications at any time without notice. The manufacturer accepts no liability for consequential damage which is occasioned to the user based on the data provided.

## 0-10V Dimming + Relay + 3rd Party Sensor



Maximum Values per Controller	
0-10V Output	50mA
Line Relay Output	20A
Line Input	110 - 277 VAC
Aux Output	24V @ 50mA

The manufacturer reserves the right to change or modify the design, dimensions and specifications at any time without notice. The manufacturer accepts no liability for consequential damage which is occasioned to the user based on the data provided.